

PC-PoE Coax Series

PoE on Coax

Harsh Environment /Industrial Grade

IP67 rating

500 Mbs Bandwidth

RG59 Coax Connectors

Surge Protection

The PC-PoE Coax Series allows for coax cable to be used with PoE devices. Using Coax the PC-PoE series can transmit data and power up to 4000ft*

The PC-PoE Coax Receiver unit is self-powered via PC-PoE Transmitter eliminating the need for additional local power at the PC-PoE Coax receiver side.

A 60 watt PoE Injector is included.

Superior robust design with a IP67/Nema 4x rating, the LR-PoE can be placed in the toughest environments.

The PC-PoE-S is single PoE Port
The PC-PoE-MPT 4 PoE Ports at Transmitting side

PC-PoE-MPT is limited to 2000ft



Standards: IEEE 802.3 for 10Base-T Ethernet
IEEE 802.3u for 100Base-TX Fast Ethernet
IEEE-802.3af for PoE ANSI/
IEEE 802.3 Auto-Negotiation
Data Transfer Rate: 10/100/500Mbps
Connectors: WaterProof IP67 rated RJ-45
Topology: Point to Point
Humidity: Operating: 10 % to 90 % RH
Size: L 3inches W 4.25inches H 1.75inches

Power: 48 vDC 60 watts

Temperature: Operating Temp: -40° ~ 140° F

Storage Temp: -40° ~ 158° F

10/100/500Mbps Auto-Negotiation/Auto-MDIX Fast Ethernet Port

Half or Full Duplex Operation for Each Port

Operates at Maximum Packet Filtering and Forwarding Rate

Store and Forward Switching Method

64KB Buffer memory Address Table up to 1K MAC Address

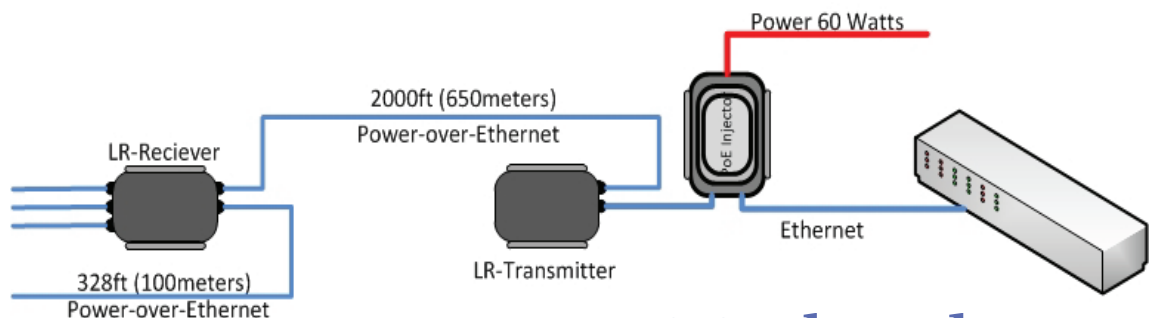
PRODUCT CODE

PC-PoE-S

PC-PoE-MPT-K

PC-PoE-S-K

PC-PoE-MPT



PoE Technologies

PoE Technologies LLC www.poetechnologies.com

sales@poetechnologies.com 941-296-7093 office 360.925.2288 fax